



METRA CLARK

Refrigeration & Air-Conditioning Wholesale

DYNAPACK

SEMI HERMETIC



Catalogue

OUR MISSION AND CORE VALUES

Support our customers with friendly, skillful, and reliable expertise. Deliver refrigeration and air-conditioning products with the highest quality in the most efficient manner.

Metraclark conducts business as follows:



Devoted to honourable and ethical business practices.



Committed to customer support and service.



Dedicated to employee development.



Committed to continuous product development with the goal of reducing environmental impact.



Dedicated to building and maintain customer and supplier relationships.



Devoted to supplying cost effective food preservation and comfort cooling products available throughout Southern Africa.

QUALIFIED ENGINEERS CONTINUOUS DEVELOPMENT
EXPERIENCED QUALITY INTERNATIONAL ISO : 9001
LOCAL MANUFACTURING LATEST PRODUCTS
RELIABILITY BESPOKE
INNOVATION **DYNAMIC TECHNOLOGY**
BESPOKE ENERGY SAVING QUALIFIED ENGINEERS
TECHNOLOGY LARGEST SALES NETWORK IN AFRICA

TABLE OF CONTENTS

| | |
|---------------------------------|------|
| INTRODUCTION | -1- |
| NOMENCLATURE | -2- |
| HIGH AMBIENT MEDIUM TEMP | -3- |
| MEDIUM TEMPERATURE | -5- |
| HIGH AMBIENT LOW TEMP | -7- |
| LOW TEMPERATURE | -9- |
| INSTALLATION GUIDELINE DRAWINGS | -11- |
| DIMENSIONAL DRAWINGS | -12- |

COMMENTS

The DYNAPACK range of horizontal air-cooled condensing units have been designed as an outdoor all weather refrigeration unit. The mechanical design of the outdoor enclosure allows for on-site stacking with its unique load bearing design. Thus, reducing installation time, and costs as there is no need for additional carpentry and mounting brackets. The DYNAPACK range has been adapted to fit **BOCK** Semi-Hermetic compressors. . The range includes more than **500** different model variants, with one fan condenser modules up to six fan condenser modules, suited for low-, medium-, and high temperature applications. Therefore, the DYNAPACK range is a highly compatible all weather range of condensing units suited for every outdoor commercial refrigeration application, under the Metraclark Dynamic brand. The DYNAPACK range is manufactured under strict ISO 9001:2015 quality management and all units are pressure tested before dispatching.

DESIGN

- DYNAPACK condensers and base frames utilize a modular design approach for stackability and ease of installation.
- Multi-refrigerant design options available: R134a, R404a, R507a, and R407F.
- Four condenser design configurations to suite all southern African ambient conditions.
- All sheet metal is fully powder coated for corrosion resistance.

OPTIONAL EXTRAS

- Condenser fan speed control.
- BluChem treatment for condenser coil.
- BPHE for hot water recovery.
- BPHE for chilled water applications.
- Stainless steel housing on request.

ENERGY EFFICIENCY OPTIONS

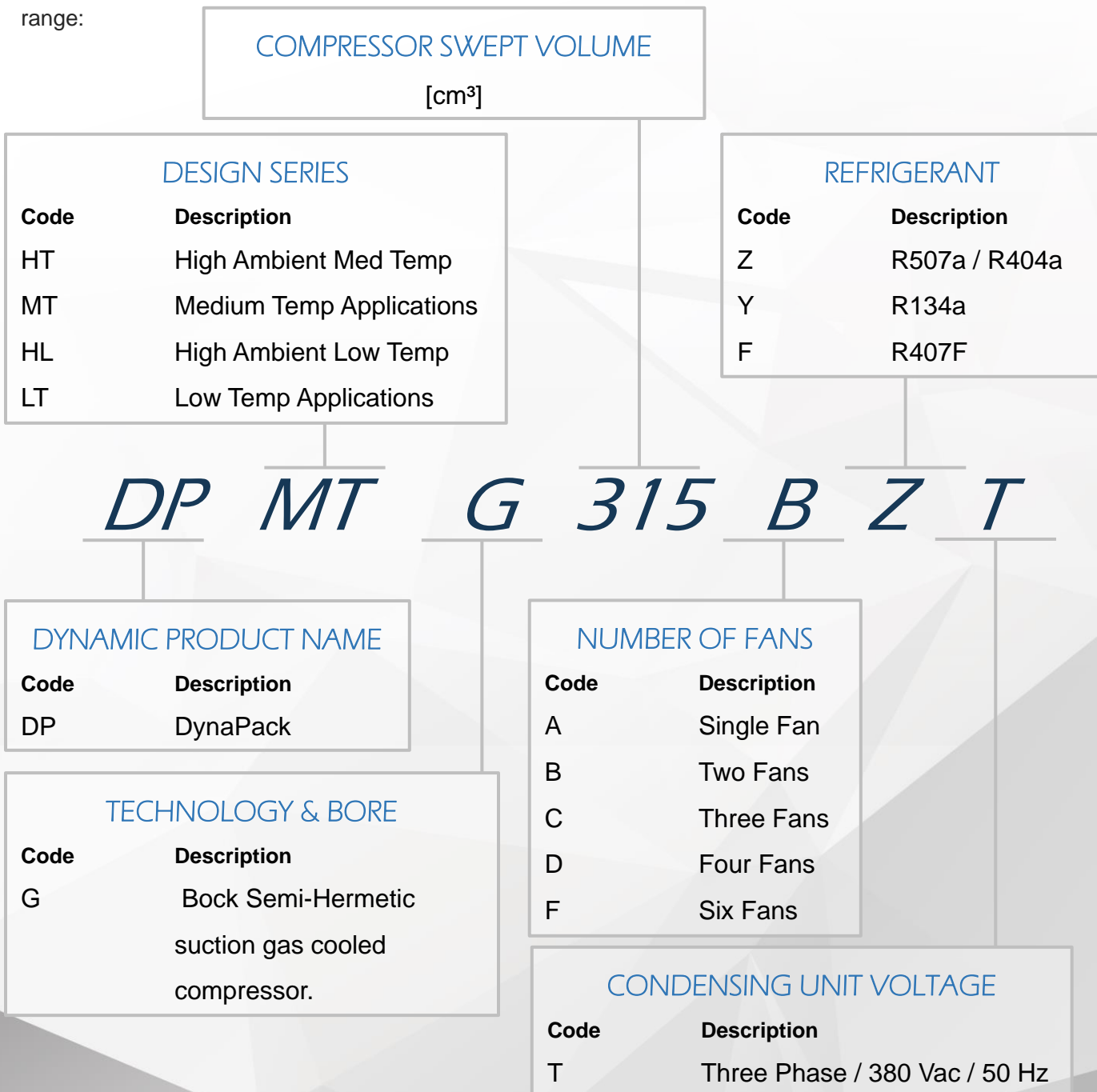
- Digital enhancement for energy saving: Digital and mechanical capacity unloading, VFD, and soft starters to reduce starting inrush current.

STANDARD COMPONENTS

- Powder coated outdoor enclosure.
- Copper tube and aluminium finned condenser coil block.
- EBM Axial fans with protective grill.
- Liquid receiver with outlet isolating valve.
- Suction and discharge vibration eliminators where applicable according to compressor.
- Oil separator with oil return line where applicable according to refrigerant flow rate.
- Suction accumulator on low temperature units.
- Liquid line with drier and sight glass.
- Replaceable liquid line filter drier on units with compressors of 20 HP and up.
- Individual Danfoss HP and LP switches, and pressure gauges.
- Danfoss HP Auto pressure switches for head pressure regulation on multiple fan units.
- Service valves where applicable according to compressor type.
- Thermistor motor protection module.
- Compressor crankcase heater.
- Compressor and condenser electrics.

NOMENCLATURE

The model designation contains the following technical information about the standard DynaPack range:



FOR MORE INFORMATION PLEASE CONTACT YOUR NEAREST METRA CLARK
OUTLET OR THE METRA CLARK ENGINEERING DEPARTMENT

| Model Reference | Ambient Temperature [°C] | Suction Temperature [°C] | | | | | |
|-----------------|--------------------------|--------------------------|-------|-------|-------|-------|-------|
| | | -15 | -10 | -5 | 0 | 5 | 10 |
| DPHTG060AZT | 34 | 2.00 | 2.54 | 3.16 | 3.87 | 4.69 | 5.61 |
| | 36 | 1.91 | 2.42 | 3.02 | 3.71 | 4.50 | 5.40 |
| | 38 | 1.82 | 2.31 | 2.88 | 3.55 | 4.31 | 5.18 |
| | 40 | 1.72 | 2.19 | 2.75 | 3.39 | 4.13 | 4.97 |
| DPHTG075AZT | 34 | 2.64 | 3.29 | 4.05 | 4.92 | 5.91 | 7.03 |
| | 36 | 2.53 | 3.16 | 3.89 | 4.73 | 5.68 | 6.77 |
| | 38 | 2.42 | 3.02 | 3.72 | 4.53 | 5.46 | 6.51 |
| | 40 | 2.30 | 2.89 | 3.56 | 4.34 | 5.24 | 6.25 |
| DPHTG110AZT | 34 | 3.71 | 4.60 | 5.64 | 6.82 | 8.17 | 9.69 |
| | 36 | 3.55 | 4.41 | 5.40 | 6.55 | 7.85 | 9.32 |
| | 38 | 3.39 | 4.21 | 5.17 | 6.27 | 7.53 | 8.95 |
| | 40 | 3.22 | 4.02 | 4.94 | 6.00 | 7.21 | 8.59 |
| DPHTG125BZT | 34 | 4.47 | 5.61 | 6.90 | 8.34 | 9.94 | 11.70 |
| | 36 | 4.27 | 5.37 | 6.62 | 8.03 | 9.58 | 11.30 |
| | 38 | 4.07 | 5.14 | 6.35 | 7.71 | 9.22 | 10.89 |
| | 40 | 3.87 | 4.90 | 6.07 | 7.39 | 8.86 | 10.48 |
| DPHTG160BZT | 34 | 5.48 | 6.91 | 8.55 | 10.38 | 12.43 | 14.69 |
| | 36 | 5.23 | 6.61 | 8.19 | 9.97 | 11.96 | 14.16 |
| | 38 | 4.97 | 6.31 | 7.84 | 9.56 | 11.49 | 13.62 |
| | 40 | 4.72 | 6.01 | 7.48 | 9.15 | 11.01 | 13.08 |
| DPHTG215BZT | 34 | 7.19 | 9.12 | 11.39 | 14.02 | 17.03 | 20.46 |
| | 36 | 6.83 | 8.69 | 10.88 | 13.41 | 16.33 | 19.66 |
| | 38 | 6.47 | 8.25 | 10.36 | 12.80 | 15.63 | 18.85 |
| | 40 | 6.11 | 7.82 | 9.84 | 12.19 | 14.92 | 18.04 |
| DPHTG255BZT | 34 | 8.58 | 10.90 | 13.58 | 16.65 | 20.13 | 24.05 |
| | 36 | 8.17 | 10.40 | 12.98 | 15.95 | 19.32 | 23.12 |
| | 38 | 7.75 | 9.90 | 12.39 | 15.25 | 18.51 | 22.19 |
| | 40 | 7.34 | 9.40 | 11.79 | 14.55 | 17.70 | 21.26 |
| DPHTG315CZT | 34 | 10.85 | 13.56 | 16.69 | 20.27 | 24.33 | 28.92 |
| | 36 | 10.36 | 12.97 | 15.99 | 19.44 | 23.37 | 27.81 |
| | 38 | 9.86 | 12.37 | 15.28 | 18.61 | 22.40 | 26.69 |
| | 40 | 9.36 | 11.78 | 14.57 | 17.77 | 21.43 | 25.57 |
| DPHTG380CZT | 34 | 13.55 | 16.77 | 20.46 | 24.68 | 29.46 | 34.84 |
| | 36 | 12.96 | 16.06 | 19.62 | 23.69 | 28.30 | 33.49 |
| | 38 | 12.38 | 15.36 | 18.79 | 22.70 | 27.14 | 32.15 |
| | 40 | 11.80 | 14.66 | 17.95 | 21.71 | 25.98 | 30.81 |
| DPHTG475DZT | 34 | 17.43 | 21.61 | 26.47 | 32.09 | 38.54 | 45.90 |
| | 36 | 16.69 | 20.72 | 25.42 | 30.86 | 37.12 | 44.27 |
| | 38 | 15.94 | 19.83 | 24.37 | 29.64 | 35.70 | 42.63 |
| | 40 | 15.20 | 18.94 | 23.32 | 28.40 | 34.27 | 40.99 |
| DPHTG565DZT | 34 | 21.10 | 26.07 | 31.85 | 38.53 | 46.21 | 54.97 |
| | 36 | 20.23 | 25.03 | 30.62 | 37.09 | 44.54 | 53.05 |
| | 38 | 19.35 | 23.98 | 29.38 | 35.64 | 42.86 | 51.12 |
| | 40 | 18.47 | 22.93 | 28.14 | 34.19 | 41.17 | 49.18 |
| DBLTG665BZT | 34 | 22.12 | 28.00 | 34.96 | 43.13 | 52.62 | 63.57 |
| | 36 | 21.02 | 26.70 | 33.44 | 41.36 | 50.59 | 61.25 |
| | 38 | 19.93 | 25.40 | 31.91 | 39.59 | 48.55 | 58.93 |
| | 40 | 18.83 | 24.09 | 30.38 | 37.81 | 46.51 | 56.59 |
| DPHTG770FZT | 34 | 28.25 | 34.91 | 42.67 | 51.63 | 61.93 | 73.70 |
| | 36 | 27.06 | 33.49 | 40.98 | 49.66 | 59.64 | 71.06 |
| | 38 | 25.87 | 32.06 | 39.29 | 47.67 | 57.34 | 68.41 |
| | 40 | 24.67 | 30.63 | 37.59 | 45.68 | 55.03 | 65.75 |
| DPHTG850FZT | 34 | 31.48 | 38.86 | 47.44 | 57.36 | 68.76 | 81.78 |
| | 36 | 30.17 | 37.30 | 45.59 | 55.20 | 66.25 | 78.89 |
| | 38 | 28.87 | 35.73 | 43.74 | 53.02 | 63.72 | 75.98 |
| | 40 | 27.55 | 34.16 | 41.88 | 50.84 | 61.19 | 73.06 |

DESIGN CRITERIA: Subcooling: 0 [K] / Suction superheat: 10 [K]

TECHNICAL SPECIFICATION

| MODEL REFERENCE | CONDENSER MODEL | STUB CONNECTIONS | | RECEIVER VOLUME | DIMENSIONS | | | FLA | STOCK CODE |
|-----------------|-----------------|------------------|---------|-----------------|------------|-------|-------|-------|------------|
| | | Liquid | Suction | [L] | L [m] | W [m] | H [m] | [A] | |
| DPHTG060AZT | DPH1131-400 | 3/8" | 5/8" | 7.1 | 0.750 | 1.000 | 0.974 | 4.34 | REP B10056 |
| DPHTG075AZT | DPH1131-500 | 3/8" | 5/8" | 7.1 | 0.750 | 1.000 | 0.974 | 6.01 | REP B10106 |
| DPHTG110AZT | DPH1151-500 | 3/8" | 5/8" | 7.1 | 0.750 | 1.000 | 0.974 | 7.51 | REP B10156 |
| DPHTG125BZT | DPH2132-400 | 5/8" | 7/8" | 16.9 | 1.500 | 1.000 | 0.974 | 7.08 | REP B10206 |
| DPHTG160BZT | DPH2122-500 | 5/8" | 7/8" | 16.9 | 1.500 | 1.000 | 0.974 | 10.42 | REP B10256 |
| DPHTG215BZT | DPH2142-500 | 5/8" | 1 1/8" | 16.9 | 1.500 | 1.000 | 0.974 | 13.32 | REP B10306 |
| DPHTG255BZT | DPH2152-500 | 5/8" | 1 1/8" | 16.9 | 1.500 | 1.000 | 0.974 | 15.02 | REP B10356 |
| DPHTG315CZT | DPH3133-500 | 5/8" | 1 1/8" | 26.7 | 2.250 | 1.000 | 0.974 | 18.93 | REP B10406 |
| DPHTG380CZT | DPH3143-500 | 5/8" | 1 1/8" | 26.7 | 2.250 | 1.000 | 0.974 | 22.23 | REP B10456 |
| DPHTG475DZT | DPH2244-500 | 7/8" | 1 3/8" | 33.8 | 1.500 | 1.000 | 1.859 | 28.64 | REP B10506 |
| DPHTG565DZT | DPH2264-500 | 7/8" | 1 5/8" | 33.8 | 1.500 | 1.000 | 1.859 | 31.64 | REP B10556 |
| DPHTG665FZT | DPH3246-500 | 7/8" | 1 5/8" | 33.8 | 2.250 | 1.000 | 1.859 | 38.46 | REP B10606 |
| DPHTG770FZT | DPH3246-500 | 7/8" | 1 5/8" | 33.8 | 2.250 | 1.000 | 1.859 | 43.46 | REP B10656 |
| DPHTG850FZT | DPH3266-500 | 1 1/8" | 2 1/8" | 33.8 | 2.250 | 1.000 | 1.859 | 47.86 | REP B10706 |

ENGINEERING NOTES:

*DynaPack units are to be installed and operated outside, in a well ventilated area, with suggested minimum wall clearance.

**Anti-vibration pads are to be used under the feet of the unit.

***Contact the Metraclark Engineering department for alternative DynaPack configurations.

MEDIUM TEMPERATURE

COOLING CAPACITY [kW]

R404A/R507

| Model Reference | Ambient Temperature [°C] | Suction Temperature [°C] | | | | | |
|-----------------|--------------------------|--------------------------|-------|-------|-------|-------|--------|
| | | -15 | -10 | -5 | 0 | 5 | 10 |
| DPMTG060AZT | 30 | 2.10 | 2.65 | 3.29 | 4.03 | 4.87 | 5.83 |
| | 32 | 2.00 | 2.54 | 3.16 | 3.87 | 4.69 | 5.61 |
| | 34 | 1.91 | 2.42 | 3.02 | 3.71 | 4.50 | 5.40 |
| | 36 | 1.82 | 2.31 | 2.88 | 3.55 | 4.31 | 5.18 |
| DPMTG075AZT | 30 | 2.75 | 3.43 | 4.21 | 5.11 | 6.13 | 7.28 |
| | 32 | 2.64 | 3.29 | 4.05 | 4.92 | 5.91 | 7.03 |
| | 34 | 2.53 | 3.16 | 3.89 | 4.73 | 5.68 | 6.77 |
| | 36 | 2.42 | 3.02 | 3.72 | 4.53 | 5.46 | 6.51 |
| DPMTG110AZT | 30 | 3.87 | 4.80 | 5.87 | 7.09 | 8.48 | 10.05 |
| | 32 | 3.71 | 4.60 | 5.64 | 6.82 | 8.17 | 9.69 |
| | 34 | 3.55 | 4.41 | 5.40 | 6.55 | 7.85 | 9.32 |
| | 36 | 3.39 | 4.21 | 5.17 | 6.27 | 7.53 | 8.95 |
| DPMTG125AZT | 30 | 4.66 | 5.84 | 7.17 | 8.65 | 10.30 | 12.10 |
| | 32 | 4.47 | 5.61 | 6.90 | 8.34 | 9.94 | 11.70 |
| | 34 | 4.27 | 5.37 | 6.62 | 8.03 | 9.58 | 11.30 |
| | 36 | 4.07 | 5.14 | 6.35 | 7.71 | 9.22 | 10.89 |
| DPMTG160AZT | 30 | 5.73 | 7.21 | 8.90 | 10.79 | 12.89 | 15.21 |
| | 32 | 5.48 | 6.91 | 8.55 | 10.38 | 12.43 | 14.69 |
| | 34 | 5.23 | 6.61 | 8.19 | 9.97 | 11.96 | 14.16 |
| | 36 | 4.97 | 6.31 | 7.84 | 9.56 | 11.49 | 13.62 |
| DPMTG215BZT | 30 | 7.55 | 9.56 | 11.91 | 14.62 | 17.73 | 21.27 |
| | 32 | 7.19 | 9.12 | 11.39 | 14.02 | 17.03 | 20.46 |
| | 34 | 6.83 | 8.69 | 10.88 | 13.41 | 16.33 | 19.66 |
| | 36 | 6.47 | 8.25 | 10.36 | 12.80 | 15.63 | 18.85 |
| DPMTG255BZT | 30 | 9.00 | 11.40 | 14.17 | 17.34 | 20.93 | 24.97 |
| | 32 | 8.58 | 10.90 | 13.58 | 16.65 | 20.13 | 24.05 |
| | 34 | 8.17 | 10.40 | 12.98 | 15.95 | 19.32 | 23.12 |
| | 36 | 7.75 | 9.90 | 12.39 | 15.25 | 18.51 | 22.19 |
| DPMTG315BZT | 30 | 11.34 | 14.15 | 17.39 | 21.09 | 25.29 | 30.03 |
| | 32 | 10.85 | 13.56 | 16.69 | 20.27 | 24.33 | 28.92 |
| | 34 | 10.36 | 12.97 | 15.99 | 19.44 | 23.37 | 27.81 |
| | 36 | 9.86 | 12.37 | 15.28 | 18.61 | 22.40 | 26.69 |
| DPMTG380BZT | 30 | 14.13 | 17.47 | 21.30 | 25.67 | 30.62 | 36.18 |
| | 32 | 13.55 | 16.77 | 20.46 | 24.68 | 29.46 | 34.84 |
| | 34 | 12.96 | 16.06 | 19.62 | 23.69 | 28.30 | 33.49 |
| | 36 | 12.38 | 15.36 | 18.79 | 22.70 | 27.14 | 32.15 |
| DPMTG475CZT | 30 | 18.16 | 22.49 | 27.51 | 33.30 | 39.94 | 47.51 |
| | 32 | 17.43 | 21.61 | 26.47 | 32.09 | 38.54 | 45.90 |
| | 34 | 16.69 | 20.72 | 25.42 | 30.86 | 37.12 | 44.27 |
| | 36 | 15.94 | 19.83 | 24.37 | 29.64 | 35.70 | 42.63 |
| DPMTG565CZT | 30 | 21.96 | 27.10 | 33.07 | 39.96 | 47.86 | 56.87 |
| | 32 | 21.10 | 26.07 | 31.85 | 38.53 | 46.21 | 54.97 |
| | 34 | 20.23 | 25.03 | 30.62 | 37.09 | 44.54 | 53.05 |
| | 36 | 19.35 | 23.98 | 29.38 | 35.64 | 42.86 | 51.12 |
| DPMTG665CZT | 30 | 23.21 | 29.29 | 36.48 | 44.89 | 54.65 | 65.87 |
| | 32 | 22.12 | 28.00 | 34.96 | 43.13 | 52.62 | 63.57 |
| | 34 | 21.02 | 26.70 | 33.44 | 41.36 | 50.59 | 61.25 |
| | 36 | 19.93 | 25.40 | 31.91 | 39.59 | 48.55 | 58.93 |
| DPMTG770DZT | 30 | 29.43 | 36.33 | 44.34 | 53.60 | 64.22 | 76.33 |
| | 32 | 28.25 | 34.91 | 42.67 | 51.63 | 61.93 | 73.70 |
| | 34 | 27.06 | 33.49 | 40.98 | 49.66 | 59.64 | 71.06 |
| | 36 | 25.87 | 32.06 | 39.29 | 47.67 | 57.34 | 68.41 |
| DPMTG850FZT | 30 | 32.77 | 40.41 | 49.27 | 59.51 | 71.26 | 84.66 |
| | 32 | 31.48 | 38.86 | 47.44 | 57.36 | 68.76 | 81.78 |
| | 34 | 30.17 | 37.30 | 45.59 | 55.20 | 66.25 | 78.89 |
| | 36 | 28.87 | 35.73 | 43.74 | 53.02 | 63.72 | 75.98 |
| DPMTG995FZT | 30 | 38.13 | 47.31 | 57.85 | 69.89 | 83.55 | 98.95 |
| | 32 | 36.55 | 45.41 | 55.61 | 67.27 | 80.51 | 95.46 |
| | 34 | 34.96 | 43.51 | 53.37 | 64.65 | 77.47 | 91.96 |
| | 36 | 33.36 | 41.61 | 51.12 | 62.01 | 74.41 | 88.45 |
| DPMTG1155FZT | 30 | 44.16 | 54.52 | 66.57 | 80.49 | 96.47 | 114.70 |
| | 32 | 42.39 | 52.41 | 64.06 | 77.55 | 93.06 | 110.77 |
| | 34 | 40.61 | 50.28 | 61.55 | 74.60 | 89.63 | 106.83 |
| | 36 | 38.83 | 48.14 | 59.02 | 71.64 | 86.19 | 102.87 |

DESIGN CRITERIA: Subcooling: 0 [K] / Suction superheat: 10 [K]

© Copyright Metraclark (PTY) Ltd.

*Cooling capacities listed are estimated values.

**Cooling capacities subject to change without notice.

***Oil separator for 4HP compressors and up.

****Pipe sizing design criteria of 10m pipe runs.

TECHNICAL SPECIFICATION

| MODEL REFERENCE | CONDENSER MODEL | STUB CONNECTIONS | | RECEIVER VOLUME [L] | DIMENSIONS | | | FLA [A] | STOCK CODE |
|-----------------|-----------------|------------------|---------|---------------------|------------|-------|-------|---------|------------|
| | | Liquid | Suction | | L [m] | W [m] | H [m] | | |
| DPMTG060AZT | DPH1121-400 | 3/8" | 5/8" | 7.1 | 0.750 | 1.000 | 0.974 | 4.34 | REPB20056 |
| DPMTG075AZT | DPH1131-400 | 3/8" | 5/8" | 7.1 | 0.750 | 1.000 | 0.974 | 5.04 | REPB20106 |
| DPMTG110AZT | DPH1141-400 | 3/8" | 5/8" | 7.1 | 0.750 | 1.000 | 0.974 | 6.54 | REPB20156 |
| DPMTG125AZT | DPH1141-500 | 5/8" | 7/8" | 7.1 | 0.750 | 1.000 | 0.974 | 7.61 | REPB20206 |
| DPMTG160AZT | DPH1151-500 | 5/8" | 7/8" | 7.1 | 0.750 | 1.000 | 0.974 | 9.01 | REPB20256 |
| DPMTG215BZT | DPH2132-400 | 5/8" | 1 1/8" | 16.9 | 1.500 | 1.000 | 0.974 | 11.38 | REPB20306 |
| DPMTG255BZT | DPH2132-500 | 5/8" | 1 1/8" | 16.9 | 1.500 | 1.000 | 0.974 | 15.02 | REPB20356 |
| DPMTG315BZT | DPH2142-500 | 5/8" | 1 1/8" | 16.9 | 1.500 | 1.000 | 0.974 | 17.52 | REPB20406 |
| DPMTG380BZT | DPH2152-500 | 5/8" | 1 1/8" | 16.9 | 1.500 | 1.000 | 0.974 | 20.82 | REPB20456 |
| DPMTG475CZT | DPH3133-500 | 7/8" | 1 3/8" | 26.7 | 2.250 | 1.000 | 0.974 | 27.23 | REPB20506 |
| DPMTG565CZT | DPH3153-500 | 7/8" | 1 5/8" | 26.7 | 2.250 | 1.000 | 0.974 | 30.23 | REPB20556 |
| DPMTG665CZT | DPH3163-500 | 7/8" | 1 5/8" | 26.7 | 2.250 | 1.000 | 0.974 | 34.23 | REPB20606 |
| DPMTG770DZT | DPH2254-500 | 7/8" | 1 5/8" | 33.8 | 1.500 | 1.000 | 1.859 | 40.64 | REPB20656 |
| DPMTG850FZT | DPH3236-500 | 1 1/8" | 2 1/8" | 33.8 | 2.250 | 1.000 | 1.859 | 47.86 | REPB20706 |
| DPMTG995FZT | DPH3246-500 | 1 1/8" | 2 1/8" | 33.8 | 2.250 | 1.000 | 1.859 | 54.86 | REPB20756 |
| DPMTG1155FZT | DPH3256-500 | 1 1/8" | 2 1/8" | 33.8 | 2.250 | 1.000 | 1.859 | 66.76 | REPB20806 |

ENGINEERING NOTES:

*DynaPack units are to be installed and operated outside, in a well ventilated area, with suggested minimum wall clearance.

**Anti-vibration pads are to be used under the feet of the unit.

***Contact the Metraclark Engineering department for alternative DynaPack configurations.

HIGH AMB LOW TEMP

COOLING CAPACITY [kW]

R404A/R507

| Model Reference | Ambient Temperature [°C] | Suction Temperature [°C] | | | | | |
|-----------------|--------------------------|--------------------------|-------|-------|-------|-------|-------|
| | | -40 | -35 | -30 | -25 | -20 | -15 |
| DPHLG060AZT | 34 | 0.42 | 0.63 | 0.89 | 1.20 | 1.59 | 2.05 |
| | 36 | 0.40 | 0.59 | 0.84 | 1.14 | 1.51 | 1.96 |
| | 38 | 0.37 | 0.56 | 0.79 | 1.08 | 1.44 | 1.86 |
| | 40 | 0.34 | 0.52 | 0.74 | 1.02 | 1.36 | 1.77 |
| DPHLG075AZT | 34 | 0.63 | 0.90 | 1.24 | 1.64 | 2.12 | 2.69 |
| | 36 | 0.60 | 0.86 | 1.18 | 1.57 | 2.03 | 2.58 |
| | 38 | 0.56 | 0.81 | 1.12 | 1.50 | 1.94 | 2.47 |
| | 40 | 0.53 | 0.77 | 1.07 | 1.43 | 1.85 | 2.36 |
| DPHLG110AZT | 34 | 1.31 | 1.78 | 2.34 | 3.01 | 3.79 | 4.63 |
| | 36 | 1.25 | 1.70 | 2.24 | 2.87 | 3.63 | 4.47 |
| | 38 | 1.18 | 1.61 | 2.13 | 2.74 | 3.47 | 4.31 |
| | 40 | 1.12 | 1.53 | 2.02 | 2.61 | 3.31 | 4.15 |
| DPHLG125AZT | 34 | 0.92 | 1.38 | 1.96 | 2.69 | 3.55 | 4.57 |
| | 36 | 0.87 | 1.30 | 1.86 | 2.56 | 3.39 | 4.37 |
| | 38 | 0.83 | 1.23 | 1.76 | 2.42 | 3.23 | 4.17 |
| | 40 | 0.78 | 1.16 | 1.66 | 2.29 | 3.06 | 3.97 |
| DPHLG160AZT | 34 | 1.12 | 1.66 | 2.37 | 3.26 | 4.34 | 5.60 |
| | 36 | 1.06 | 1.57 | 2.24 | 3.10 | 4.13 | 5.35 |
| | 38 | 1.00 | 1.48 | 2.12 | 2.93 | 3.93 | 5.10 |
| | 40 | 0.95 | 1.39 | 2.00 | 2.77 | 3.72 | 4.85 |
| DPHLG215BZT | 34 | 1.43 | 2.19 | 3.13 | 4.29 | 5.69 | 7.37 |
| | 36 | 1.33 | 2.06 | 2.96 | 4.06 | 5.40 | 7.01 |
| | 38 | 1.24 | 1.93 | 2.78 | 3.83 | 5.11 | 6.65 |
| | 40 | 1.15 | 1.80 | 2.60 | 3.60 | 4.82 | 6.29 |
| DPHLG255BZT | 34 | 1.78 | 2.62 | 3.72 | 5.10 | 6.78 | 8.79 |
| | 36 | 1.66 | 2.46 | 3.51 | 4.83 | 6.44 | 8.38 |
| | 38 | 1.56 | 2.31 | 3.31 | 4.56 | 6.11 | 7.96 |
| | 40 | 1.46 | 2.16 | 3.10 | 4.30 | 5.77 | 7.55 |
| DPHLG315BZT | 34 | 2.34 | 3.53 | 4.97 | 6.68 | 8.71 | 11.09 |
| | 36 | 2.16 | 3.32 | 4.70 | 6.36 | 8.31 | 10.60 |
| | 38 | 1.99 | 3.10 | 4.44 | 6.03 | 7.90 | 10.11 |
| | 40 | 1.81 | 2.89 | 4.17 | 5.69 | 7.50 | 9.61 |
| DPHLG380BZT | 34 | 3.28 | 4.75 | 6.50 | 8.57 | 11.00 | 13.84 |
| | 36 | 3.06 | 4.49 | 6.18 | 8.18 | 10.52 | 13.25 |
| | 38 | 2.84 | 4.23 | 5.86 | 7.79 | 10.04 | 12.67 |
| | 40 | 2.62 | 3.96 | 5.54 | 7.40 | 9.57 | 12.09 |
| DPHLG475CZT | 34 | 4.21 | 6.16 | 8.41 | 11.06 | 14.16 | 17.80 |
| | 36 | 3.93 | 5.82 | 8.00 | 10.55 | 13.55 | 17.06 |
| | 38 | 3.66 | 5.49 | 7.59 | 10.05 | 12.93 | 16.32 |
| | 40 | 3.39 | 5.16 | 7.18 | 9.54 | 12.31 | 15.57 |
| DPHLG565CZT | 34 | 5.30 | 7.65 | 10.35 | 13.51 | 17.20 | 21.53 |
| | 36 | 4.98 | 7.25 | 9.87 | 12.92 | 16.48 | 20.66 |
| | 38 | 4.65 | 6.86 | 9.39 | 12.32 | 15.76 | 19.79 |
| | 40 | 4.33 | 6.47 | 8.90 | 11.73 | 15.03 | 18.91 |
| DPHLG665CZT | 34 | 4.84 | 7.20 | 10.04 | 13.48 | 17.65 | 22.66 |
| | 36 | 4.46 | 6.72 | 9.44 | 12.74 | 16.74 | 21.57 |
| | 38 | 4.10 | 6.25 | 8.84 | 11.99 | 15.83 | 20.48 |
| | 40 | 3.74 | 5.79 | 8.25 | 11.25 | 14.92 | 19.38 |
| DPHLG770DZT | 34 | 7.08 | 10.23 | 13.85 | 18.08 | 23.03 | 28.84 |
| | 36 | 6.63 | 9.69 | 13.20 | 17.28 | 22.05 | 27.65 |
| | 38 | 6.19 | 9.15 | 12.54 | 16.47 | 21.07 | 26.47 |
| | 40 | 5.75 | 8.62 | 11.88 | 15.66 | 20.08 | 25.27 |
| DPHLG850DZT | 34 | 7.94 | 11.46 | 15.50 | 20.20 | 25.69 | 32.12 |
| | 36 | 7.45 | 10.87 | 14.78 | 19.32 | 24.62 | 30.83 |
| | 38 | 6.96 | 10.28 | 14.06 | 18.43 | 23.54 | 29.52 |
| | 40 | 6.47 | 9.69 | 13.33 | 17.54 | 22.45 | 28.21 |
| DPHLG995FZT | 34 | 8.21 | 12.32 | 17.16 | 22.87 | 29.55 | 37.34 |
| | 36 | 7.61 | 11.59 | 16.28 | 21.78 | 28.23 | 35.75 |
| | 38 | 7.02 | 10.87 | 15.39 | 20.70 | 26.91 | 34.16 |
| | 40 | 6.43 | 10.16 | 14.51 | 19.61 | 25.59 | 32.56 |
| DPHLG1155FZT | 34 | 10.63 | 15.35 | 20.79 | 27.13 | 34.56 | 43.28 |
| | 36 | 9.96 | 14.54 | 19.80 | 25.92 | 33.09 | 41.50 |
| | 38 | 9.29 | 13.74 | 18.81 | 24.71 | 31.61 | 39.72 |
| | 40 | 8.63 | 12.93 | 17.82 | 23.50 | 30.13 | 37.93 |
| DPHLG1340FZT | 34 | 11.66 | 17.21 | 23.74 | 31.44 | 40.48 | 51.02 |
| | 36 | 10.98 | 16.33 | 22.62 | 30.03 | 38.72 | 48.88 |
| | 38 | 10.32 | 15.46 | 21.50 | 28.61 | 36.95 | 46.71 |
| | 40 | 9.68 | 14.61 | 20.39 | 27.18 | 35.17 | 44.53 |

DESIGN CRITERIA: Subcooling: 0 [K] / Suction superheat: 10 [K]

© Copyright Metraclark (PTY) Ltd.

*Cooling capacities listed are estimated values.

**Cooling capacities subject to change without notice.

***Oil separator for 4HP compressors and up.

****Pipe sizing design criteria of 10m pipe runs.

TECHNICAL SPECIFICATION

| MODEL REFERENCE | CONDENSER MODEL | STUB CONNECTIONS | | RECEIVER VOLUME [L] | DIMENSIONS | | | FLA [A] | STOCK CODE |
|-----------------|-----------------|------------------|---------|---------------------|------------|-------|-------|---------|------------|
| | | Liquid | Suction | | L [m] | W [m] | H [m] | | |
| DPHLG060AZT | DPH1121-400 | 3/8" | 5/8" | 7.1 | 0.750 | 1.000 | 0.974 | 4.34 | REPB30056 |
| DPHLG075AZT | DPH1131-400 | 3/8" | 5/8" | 7.1 | 0.750 | 1.000 | 0.974 | 5.04 | REPB30106 |
| DPHLG110AZT | DPH1141-400 | 3/8" | 5/8" | 7.1 | 0.750 | 1.000 | 0.974 | 6.54 | REPB30156 |
| DPHLG125AZT | DPH1131-500 | 5/8" | 7/8" | 7.1 | 0.750 | 1.000 | 0.974 | 7.61 | REPB30206 |
| DPHLG160AZT | DPH1141-500 | 5/8" | 7/8" | 7.1 | 0.750 | 1.000 | 0.974 | 9.01 | REPB30256 |
| DPHLG215BZT | DPH2132-400 | 5/8" | 1 1/8" | 16.9 | 1.500 | 1.000 | 0.974 | 11.38 | REPB30306 |
| DPHLG255BZT | DPH2122-500 | 5/8" | 1 1/8" | 16.9 | 1.500 | 1.000 | 0.974 | 15.02 | REPB30356 |
| DPHLG315BZT | DPH2132-500 | 5/8" | 1 1/8" | 16.9 | 1.500 | 1.000 | 0.974 | 17.52 | REPB30406 |
| DPHLG380BZT | DPH2152-500 | 5/8" | 1 1/8" | 16.9 | 1.500 | 1.000 | 0.974 | 20.82 | REPB30456 |
| DPHLG475CZT | DPH3133-500 | 7/8" | 1 3/8" | 26.7 | 2.250 | 1.000 | 0.974 | 27.23 | REPB30506 |
| DPHLG565CZT | DPH3143-500 | 7/8" | 1 5/8" | 26.7 | 2.250 | 1.000 | 0.974 | 30.23 | REPB30556 |
| DPHLG665CZT | DPH3163-500 | 7/8" | 1 5/8" | 26.7 | 2.250 | 1.000 | 0.974 | 34.23 | REPB30606 |
| DPHLG770DZT | DPH2254-500 | 7/8" | 1 5/8" | 33.8 | 1.500 | 1.000 | 1.859 | 40.64 | REPB30656 |
| DPHLG850DZT | DPH2264-500 | 1 1/8" | 2 1/8" | 33.8 | 1.500 | 1.000 | 1.859 | 45.04 | REPB30706 |
| DPHLG995FZT | DPH3236-500 | 1 1/8" | 2 1/8" | 33.8 | 2.250 | 1.000 | 1.859 | 54.86 | REPB30756 |
| DPHLG1155FZT | DPH3246-500 | 1 1/8" | 2 1/8" | 33.8 | 2.250 | 1.000 | 1.859 | 66.76 | REPB30806 |
| DPHLG1340FZT | DPH3266-500 | 1 3/8" | 2 1/8" | 33.8 | 2.250 | 1.000 | 1.859 | 70.94 | REPB30856 |

ENGINEERING NOTES:

*DynaPack units are to be installed and operated outside, in a well ventilated area, with suggested minimum wall clearance.

**Anti-vibration pads are to be used under the feet of the unit.

***Contact the Metraclark Engineering department for alternative DynaPack configurations.

LOW TEMPERATURE

COOLING CAPACITY [kW]

R404A/R507

| Model Reference | Ambient Temperature [°C] | Suction Temperature [°C] | | | | | |
|-----------------|--------------------------|--------------------------|-------|-------|-------|-------|-------|
| | | -40 | -35 | -30 | -25 | -20 | -15 |
| DPLTG060AZT | 30 | 0.45 | 0.67 | 0.93 | 1.27 | 1.67 | 2.15 |
| | 32 | 0.42 | 0.63 | 0.89 | 1.20 | 1.59 | 2.05 |
| | 34 | 0.40 | 0.59 | 0.84 | 1.14 | 1.51 | 1.96 |
| | 36 | 0.37 | 0.56 | 0.79 | 1.08 | 1.44 | 1.86 |
| DPLTG075AZT | 30 | 0.66 | 0.95 | 1.30 | 1.72 | 2.22 | 2.81 |
| | 32 | 0.63 | 0.90 | 1.24 | 1.64 | 2.12 | 2.69 |
| | 34 | 0.60 | 0.86 | 1.18 | 1.57 | 2.03 | 2.58 |
| | 36 | 0.56 | 0.81 | 1.12 | 1.50 | 1.94 | 2.47 |
| DPLTG110AZT | 30 | | 1.38 | 1.86 | 2.45 | 3.14 | 3.95 |
| | 32 | | 1.31 | 1.78 | 2.34 | 3.01 | 3.79 |
| | 34 | | 1.25 | 1.70 | 2.24 | 2.87 | 3.63 |
| | 36 | | 1.18 | 1.61 | 2.13 | 2.74 | 3.47 |
| DPLTG125AZT | 30 | 0.98 | 1.45 | 2.07 | 2.82 | 3.72 | 4.76 |
| | 32 | 0.92 | 1.38 | 1.96 | 2.69 | 3.55 | 4.57 |
| | 34 | 0.87 | 1.30 | 1.86 | 2.56 | 3.39 | 4.37 |
| | 36 | 0.83 | 1.23 | 1.76 | 2.42 | 3.23 | 4.17 |
| DPLTG160AZT | 30 | 1.18 | 1.75 | 2.50 | 3.43 | 4.54 | 5.85 |
| | 32 | 1.12 | 1.66 | 2.37 | 3.26 | 4.34 | 5.60 |
| | 34 | 1.06 | 1.57 | 2.24 | 3.10 | 4.13 | 5.35 |
| | 36 | 1.00 | 1.48 | 2.12 | 2.93 | 3.93 | 5.10 |
| DPLTG215AZT | 30 | 1.52 | 2.32 | 3.31 | 4.52 | 5.98 | 7.72 |
| | 32 | 1.43 | 2.19 | 3.13 | 4.29 | 5.69 | 7.37 |
| | 34 | 1.33 | 2.06 | 2.96 | 4.06 | 5.40 | 7.01 |
| | 36 | 1.24 | 1.93 | 2.78 | 3.83 | 5.11 | 6.65 |
| DPLTG255AZT | 30 | 1.89 | 2.78 | 3.93 | 5.37 | 7.12 | 9.20 |
| | 32 | 1.78 | 2.62 | 3.72 | 5.10 | 6.78 | 8.79 |
| | 34 | 1.66 | 2.46 | 3.51 | 4.83 | 6.44 | 8.38 |
| | 36 | 1.56 | 2.31 | 3.31 | 4.56 | 6.11 | 7.96 |
| DPLTG315BZT | 30 | 2.51 | 3.74 | 5.23 | 7.01 | 9.12 | 11.58 |
| | 32 | 2.34 | 3.53 | 4.97 | 6.68 | 8.71 | 11.09 |
| | 34 | 2.16 | 3.32 | 4.70 | 6.36 | 8.31 | 10.60 |
| | 36 | 1.99 | 3.10 | 4.44 | 6.03 | 7.90 | 10.11 |
| DPLTG380BZT | 30 | 3.51 | 5.01 | 6.82 | 8.96 | 11.48 | 14.42 |
| | 32 | 3.28 | 4.75 | 6.50 | 8.57 | 11.00 | 13.84 |
| | 34 | 3.06 | 4.49 | 6.18 | 8.18 | 10.52 | 13.25 |
| | 36 | 2.84 | 4.23 | 5.86 | 7.79 | 10.04 | 12.67 |
| DPLTG475BZT | 30 | 4.48 | 6.49 | 8.82 | 11.56 | 14.77 | 18.53 |
| | 32 | 4.21 | 6.16 | 8.41 | 11.06 | 14.16 | 17.80 |
| | 34 | 3.93 | 5.82 | 8.00 | 10.55 | 13.55 | 17.06 |
| | 36 | 3.66 | 5.49 | 7.59 | 10.05 | 12.93 | 16.32 |
| DPLTG565CZT | 30 | 5.63 | 8.04 | 10.83 | 14.10 | 17.92 | 22.39 |
| | 32 | 5.30 | 7.65 | 10.35 | 13.51 | 17.20 | 21.53 |
| | 34 | 4.98 | 7.25 | 9.87 | 12.92 | 16.48 | 20.66 |
| | 36 | 4.65 | 6.86 | 9.39 | 12.32 | 15.76 | 19.79 |
| DPLTG665CZT | 30 | 5.21 | 7.68 | 10.64 | 14.23 | 18.56 | 23.75 |
| | 32 | 4.84 | 7.20 | 10.04 | 13.48 | 17.65 | 22.66 |
| | 34 | 4.46 | 6.72 | 9.44 | 12.74 | 16.74 | 21.57 |
| | 36 | 4.10 | 6.25 | 8.84 | 11.99 | 15.83 | 20.48 |
| DPLTG770CZT | 30 | 7.52 | 10.76 | 14.51 | 18.88 | 24.01 | 30.02 |
| | 32 | 7.08 | 10.23 | 13.85 | 18.08 | 23.03 | 28.84 |
| | 34 | 6.63 | 9.69 | 13.20 | 17.28 | 22.05 | 27.65 |
| | 36 | 6.19 | 9.15 | 12.54 | 16.47 | 21.07 | 26.47 |
| DPLTG850CZT | 30 | 8.43 | 12.05 | 16.22 | 21.08 | 26.76 | 33.42 |
| | 32 | 7.94 | 11.46 | 15.50 | 20.20 | 25.69 | 32.12 |
| | 34 | 7.45 | 10.87 | 14.78 | 19.32 | 24.62 | 30.83 |
| | 36 | 6.96 | 10.28 | 14.06 | 18.43 | 23.54 | 29.52 |
| DPLTG995CZT | 30 | 8.81 | 13.04 | 18.05 | 23.95 | 30.86 | 38.92 |
| | 32 | 8.21 | 12.32 | 17.16 | 22.87 | 29.55 | 37.34 |
| | 34 | 7.61 | 11.59 | 16.28 | 21.78 | 28.23 | 35.75 |
| | 36 | 7.02 | 10.87 | 15.39 | 20.70 | 26.91 | 34.16 |
| DPLTG1155DZT | 30 | 11.30 | 16.16 | 21.77 | 28.33 | 36.02 | 45.04 |
| | 32 | 10.63 | 15.35 | 20.79 | 27.13 | 34.56 | 43.28 |
| | 34 | 9.96 | 14.54 | 19.80 | 25.92 | 33.09 | 41.50 |
| | 36 | 9.29 | 13.74 | 18.81 | 24.71 | 31.61 | 39.72 |
| DPLTG1340DZT | 30 | 12.35 | 18.09 | 24.87 | 32.86 | 42.23 | 53.15 |
| | 32 | 11.66 | 17.21 | 23.74 | 31.44 | 40.48 | 51.02 |
| | 34 | 10.98 | 16.33 | 22.62 | 30.03 | 38.72 | 48.88 |
| | 36 | 10.32 | 15.46 | 21.50 | 28.61 | 36.95 | 46.71 |
| DPLTG1540FZT | 30 | 14.89 | 21.49 | 29.27 | 38.42 | 49.12 | 61.59 |
| | 32 | 14.09 | 20.48 | 27.99 | 36.81 | 47.13 | 59.16 |
| | 34 | 13.32 | 19.49 | 26.71 | 35.19 | 45.13 | 56.71 |
| | 36 | 12.57 | 18.50 | 25.44 | 33.58 | 43.12 | 54.25 |
| DPLTG1750FZT | 30 | 17.10 | 24.59 | 33.42 | 43.78 | 55.91 | 70.03 |
| | 32 | 16.20 | 23.45 | 31.97 | 41.96 | 53.66 | 67.29 |
| | 34 | 15.33 | 22.32 | 30.52 | 40.14 | 51.40 | 64.52 |
| | 36 | 14.47 | 21.21 | 29.08 | 38.30 | 49.11 | 61.72 |

DESIGN CRITERIA: Subcooling: 0 [K] / Suction superheat: 10 [K]

© Copyright Metraclark (PTY) Ltd.

*Cooling capacities listed are estimated values.

**Cooling capacities subject to change without notice.

***Oil separator for 4HP compressors and up.

****Pipe sizing design criteria of 10m pipe runs.

TECHNICAL SPECIFICATION

| MODEL REFERENCE | CONDENSER MODEL | STUB CONNECTIONS | | RECEIVER VOLUME | DIMENSIONS | | | FLA | STOCK CODE |
|-----------------|-----------------|------------------|---------|-----------------|------------|-------|-------|-------|------------|
| | | Liquid | Suction | [L] | L [m] | W [m] | H [m] | [A] | |
| DPLTG060AZT | DPH1121-400 | 3/8" | 5/8" | 7.1 | 0.750 | 1.000 | 0.974 | 4.34 | REPB40056 |
| DPLTG075AZT | DPH1121-400 | 3/8" | 5/8" | 7.1 | 0.750 | 1.000 | 0.974 | 5.04 | REPB40106 |
| DPLTG110AZT | DPH1121-400 | 3/8" | 5/8" | 7.1 | 0.750 | 1.000 | 0.974 | 6.54 | REPB40156 |
| DPLTG125AZT | DPH1131-400 | 5/8" | 7/8" | 7.1 | 0.750 | 1.000 | 0.974 | 6.64 | REPB40206 |
| DPLTG160AZT | DPH1131-400 | 5/8" | 7/8" | 7.1 | 0.750 | 1.000 | 0.974 | 8.04 | REPB40256 |
| DPLTG215AZT | DPH1131-500 | 5/8" | 1 1/8" | 7.1 | 0.750 | 1.000 | 0.974 | 11.91 | REPB40306 |
| DPLTG255AZT | DPH1141-500 | 5/8" | 1 1/8" | 7.1 | 0.750 | 1.000 | 0.974 | 13.61 | REPB40356 |
| DPLTG315BZT | DPH2132-400 | 5/8" | 1 1/8" | 16.9 | 1.500 | 1.000 | 0.974 | 15.58 | REPB40406 |
| DPLTG380BZT | DPH2122-500 | 5/8" | 1 1/8" | 16.9 | 1.500 | 1.000 | 0.974 | 20.82 | REPB40456 |
| DPLTG475BZT | DPH2132-500 | 7/8" | 1 3/8" | 16.9 | 1.500 | 1.000 | 0.974 | 25.82 | REPB40506 |
| DPLTG565CZT | DPH3133-500 | 7/8" | 1 5/8" | 26.7 | 2.250 | 1.000 | 0.974 | 30.23 | REPB40556 |
| DPLTG665CZT | DPH3133-500 | 7/8" | 1 5/8" | 26.7 | 2.250 | 1.000 | 0.974 | 34.23 | REPB40606 |
| DPLTG770CZT | DPH3143-500 | 7/8" | 1 5/8" | 26.7 | 2.250 | 1.000 | 0.974 | 39.23 | REPB40656 |
| DPLTG850CZT | DPH3143-500 | 1 1/8" | 2 1/8" | 26.7 | 2.250 | 1.000 | 0.974 | 43.63 | REPB40706 |
| DPLTG995CZT | DPH3153-500 | 1 1/8" | 2 1/8" | 26.7 | 2.250 | 1.000 | 0.974 | 50.63 | REPB40756 |
| DPLTG1155DZT | DPH2254-500 | 1 1/8" | 2 1/8" | 33.8 | 1.500 | 1.000 | 1.859 | 63.94 | REPB40806 |
| DPLTG1340DZT | DPH2264-500 | 1 3/8" | 2 1/8" | 33.8 | 1.500 | 1.000 | 1.859 | 70.94 | REPB40856 |
| DPLTG1540FZT | DPH3246-500 | 1 3/8" | 2 1/8" | 33.8 | 2.250 | 1.000 | 1.859 | 80.64 | REPB40906 |
| DPLTG1750FZT | DPH3246-500 | 1 3/8" | 2 1/8" | 33.8 | 2.250 | 1.000 | 1.859 | 92.44 | REPB40956 |

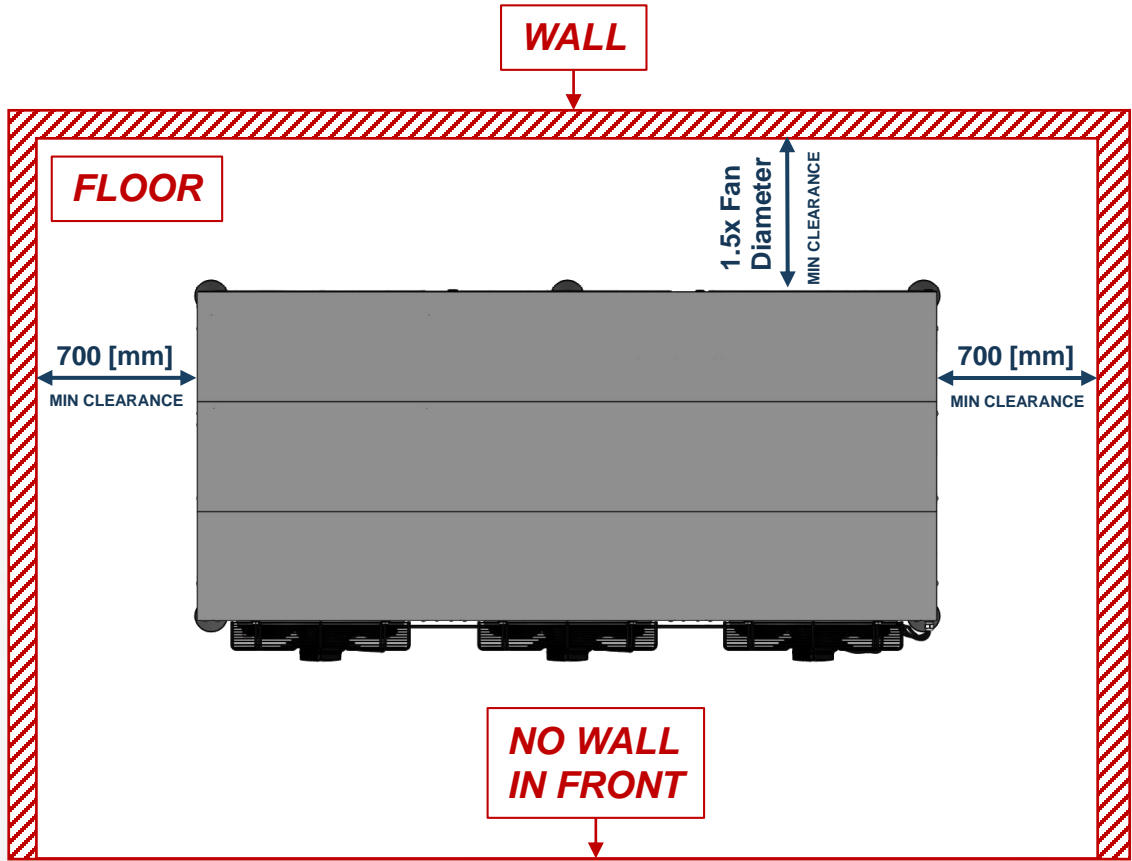
ENGINEERING NOTES:

*DynaPack units are to be installed and operated outside, in a well ventilated area, with suggested minimum wall clearance.

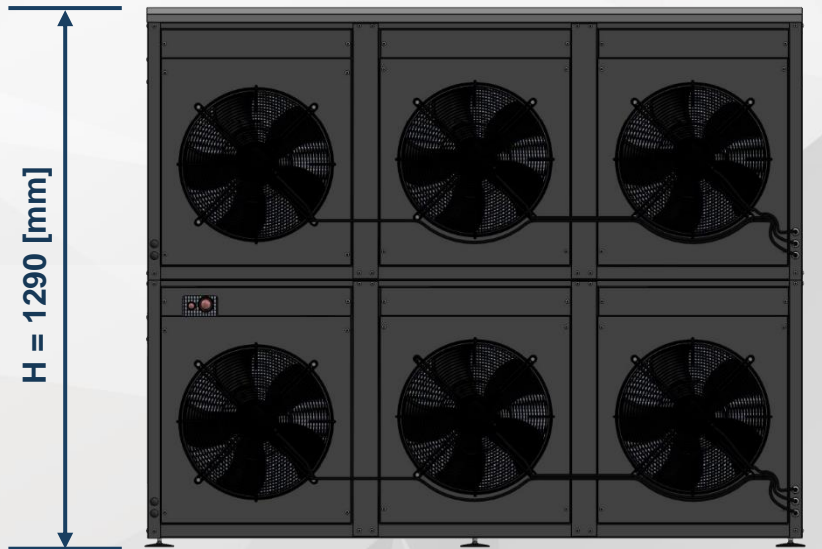
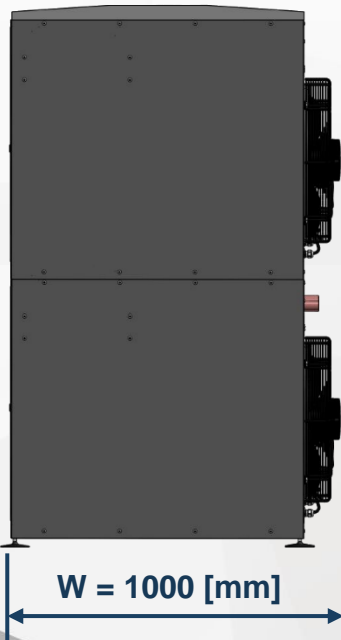
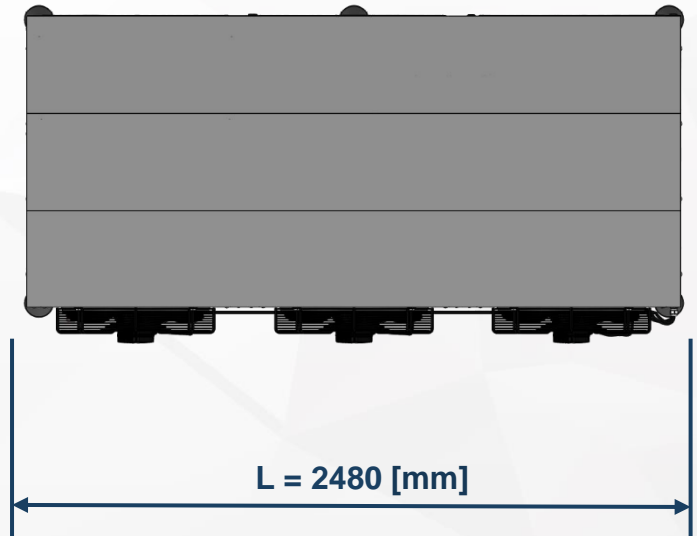
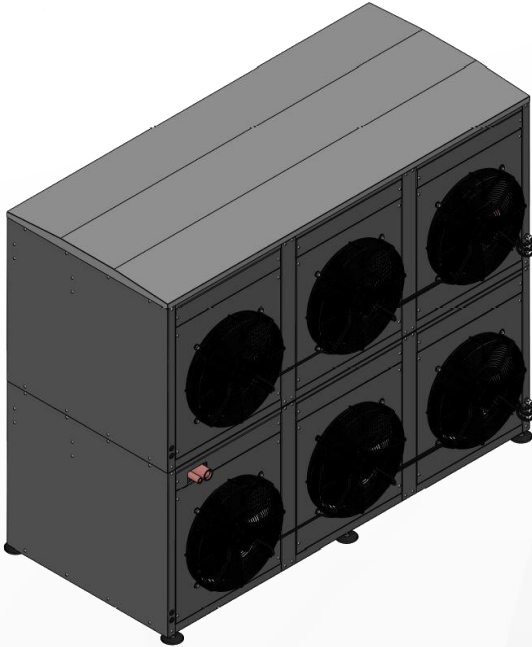
**Anti-vibration pads are to be used under the feet of the unit.

***Contact the Metraclark Engineering department for alternative DynaPack configurations.

INSTALLATION GUIDELINE DRAWINGS



DIMENSIONAL DRAWINGS



ENGINEERING NOTES:

*DynaPack unit illustrated is the DPHTH250FZT condensing unit and the dimensions are for the specified unit only, please refer to the technical specification pages with this catalogue for correct dimensions of the individual unit.



METRACLARK

Refrigeration & Air-Conditioning Wholesale

Central: 0861 100 013
Cape East: 0861 100 014
Gauteng: 0861 100 015

www.metraclark.co.za

KZN: 0861 100 016
North: 0861 100 017
Cape West: 0861 100 018